



PLATE MOUNTED AXIAL FLOW FANS

HXM Series

HXM
Plate mounted axial flow fans



Configuration model HXM-400

The HXM plate mounted axial flow fans are manufactured from pressed galvanised steel and protected from **corrosion by a beige epoxy-polyester paint finish.**

All models include a steel finger proof guard as standard mounted to the inlet side of the fan.

Impellers are manufactured from galvanised steel sheet and finished with black polyester paint.

Motor

HXM-200 to HXM-350: Single phase speed controllable motor 230V-50/60Hz equipped with thermal protection, IP44, Class B insulation, flexible cable (length: 50cm) for connection to the electrical supplies and ball bearings greased for life.

HXM-400: External rotor motor, IP44, Class F insulation, fitted with thermal protection and wiring terminal box.

Additional Information

Standard air direction: form (A) configuration (Motor over Impeller).

Provided with cable for connection to the electrical supplies

HXM-400 model terminal box



Motor protected from corrosion by epoxy-polyester paint finish. Cable to ease connection to electrical supplies (except for HXM-400 model)



Wiring terminal box including the capacitor

APPLICATIONS



Warehouses



Workshops



Commercial premises



Cafes, bars and small restaurants



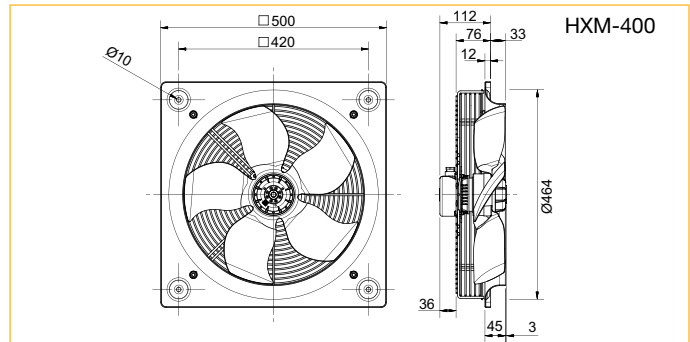
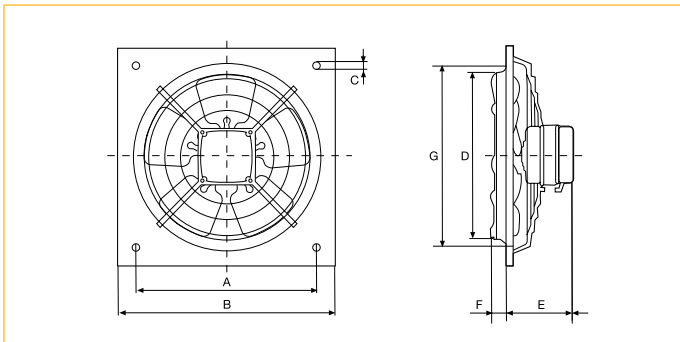
Wine cellars and basements

Technical characteristics

Before making any electrical connection ensure that the voltage and frequency of the mains electrical supply matches that of the fan data plate label.

| Model | Speed (r.p.m.) | Maximum absorbed power (W) | Maximum absorbed current (A) | Maximum air volume (m ³ /h) | Working temperature (°C) | Sound pressure level at 3 m (dB(A)) | Weight (Kg) |
|---------|-------------------|-------------------------------|---------------------------------|---|-----------------------------|--|----------------|
| HXM-200 | 1300 | 16 | 0,08 | 500 | -15/+40 | 36 | 1,8 |
| HXM-250 | 1300 | 22 | 0,10 | 900 | -15/+40 | 42 | 2,2 |
| HXM-300 | 1300 | 34 | 0,15 | 1400 | 0/+40 | 48 | 3,2 |
| HXM-350 | 1300 | 40 | 0,17 | 1800 | 0/+40 | 53 | 4,3 |
| HXM-400 | 1065 | 170 | 0,70 | 3400 | -40/+60 | 57 | 7,3 |

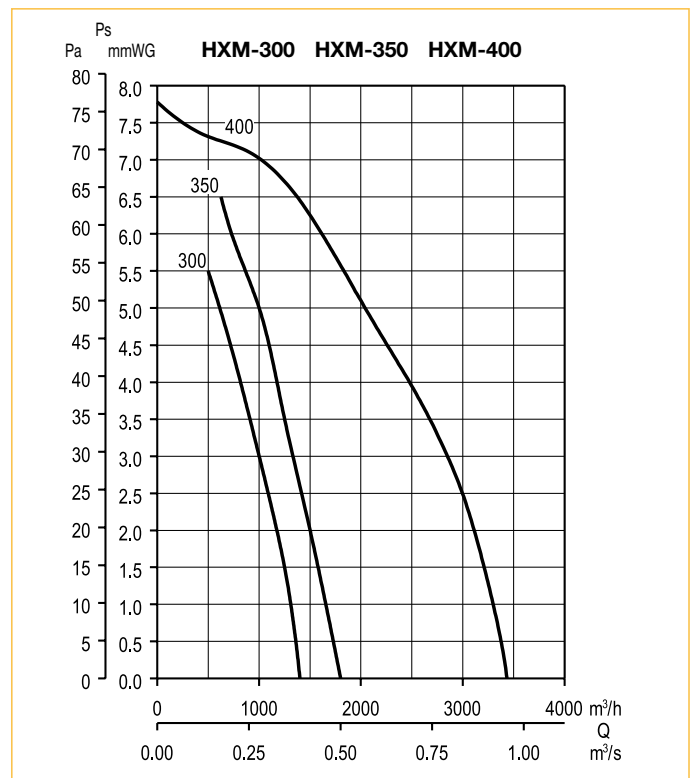
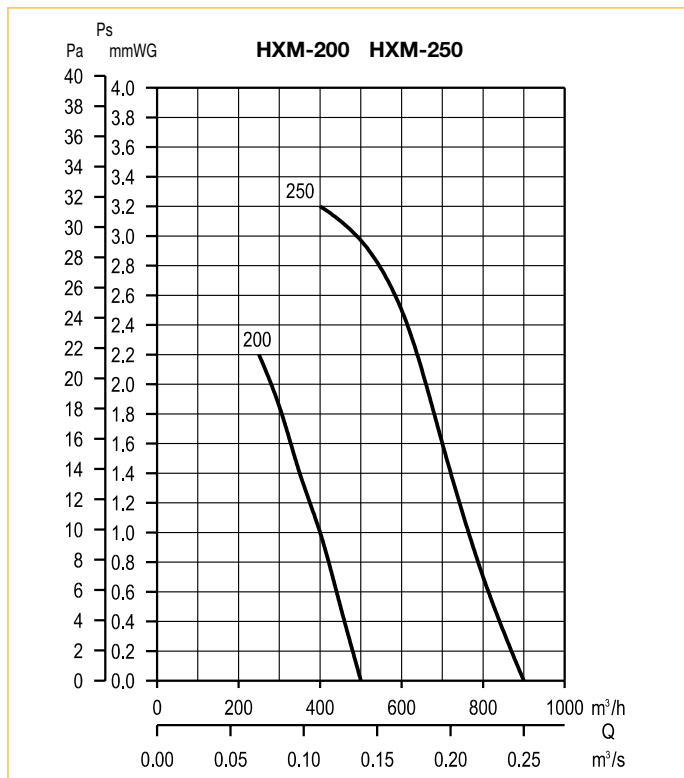
■ Dimensions (mm)



| Model | A | B | Ø C | Ø D | E | F | Ø G |
|---------|-------|-----|------|-----|-----|------|-----|
| HXM-200 | 222 | 266 | 9 | 205 | 88 | 19 | 211 |
| HXM-250 | 275,5 | 333 | 9 | 255 | 99 | 31 | 261 |
| HXM-300 | 336,5 | 400 | 10,5 | 305 | 99 | 35,5 | 311 |
| HXM-350 | 390 | 465 | 10,5 | 361 | 106 | 34,5 | 371 |

■ Performance curves

- Q = Air volume in, m³/hr and m³/s.
- Ps = Static pressure in mmWG and Pa.
- Dry air at 20°C and 760 mmHg.
- Performance data in accordance with ISO 5801 and AMCA 210-99 Standards.



■ Mounting accessories



| Model | Back draft Shutters | |
|---------|---------------------|--------------|
| | Plastic | Metal |
| HXM-200 | PER - 200 W | PER - 250 CN |
| HXM-250 | PER - 250 W | PER - 250 CN |
| HXM-300 | PER - 355 W | PER - 355 CN |
| HXM-350 | PER - 355 W | PER - 355 CN |
| HXM-400 | PER - 400 W | PER - 400 CN |

■ Electrical accessories



REB
Electronic,
single phase
speed
controller



RMB
Auto transformer,
single phase
speed controller